

GP Batteries

Data Sheet

Rechargeable Nickel Metal Hydride Battery

Model: GP220AAH

Revision History

Revision	Date	Initiator	Change description
02	2014-5-26	YQ Chen	New format
03	2014-7-10	YQ Chen	Revised OD tolerance form "+0/-1" to "+0/-0.7"

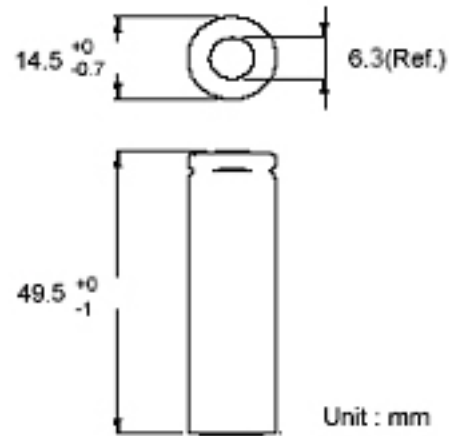
Prepared by	Checked by	Approver
RD Engineer	RD Manager	SM
YQ Chen	Jackie Yu	Vivian Fong
Date: 2014-7-10	Date: 2014-7-10	Date: 2014-7-10

GPI International Limited

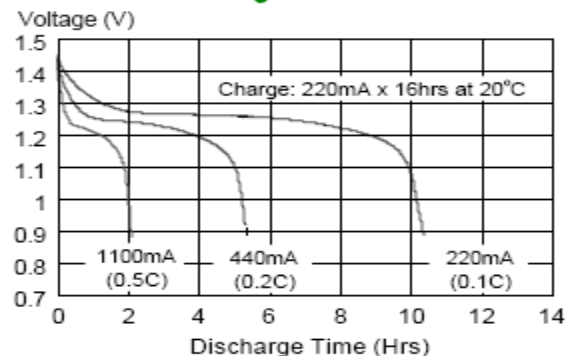
Gold Peak Building, 8/F, 30 Kwai Wing Road,
Kwai Chung, New Territories, Hong Kong.
Tel: (852) 2484 3333 Fax: (852) 24805912
Email: gpii@goldpeak.com
Website: <http://www.gpbatteries.com>

Type	Rechargeable Nickel Metal Hydride Cylindrical Cell
Nominal Dimension (with Sleeve)	Φ = 14.5mm H = 49.5mm
Applications	Recommended discharge current 220 to 6600mA
Nominal Voltage	1.2V
Capacity	Nominal: 2200mAh Minimum: 2200mAh Typical: 2250mAh When discharged at 440mA to 1.0V at 20°C
Charging Retention	80% of nominal capacity after cell storage at 20°C for 12 months When discharged at 440mA to 1.0V at 20°C
Charging Condition	220mA for 16 hrs at 20°C
Fast Charge	1100mA to 2200mA (0.5 to 1C) charge termination control recommended control parameters: -ΔV : 0-5mV DT/dt : 0.8°C/min (0.5 to 0.9C) 0.8 - 1°C/min (1C) TCO : 45 - 50°C Timer : 105% nominal input (for ref. only)
Service Life	>500 cycles (IEC standard)
Continuous Overcharge	220mA maximum current for 1 year. No conspicuous deformation and/or leakage
Weight	30.5g
Internal Resistance	Average 22mΩ upon fully charged (Max.28mΩ) at 1000Hz
Max. Charging Voltage	1.5V at 220mA charging
Ambient Temperature Range	Standard Charge : 0 to 45°C Fast Charging : 10 to 45°C Discharge : -20 to 50°C Storage : -20 to 35°C

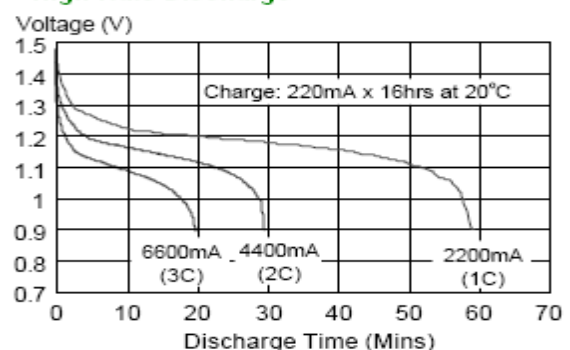
Model No.: **GP220AAH**



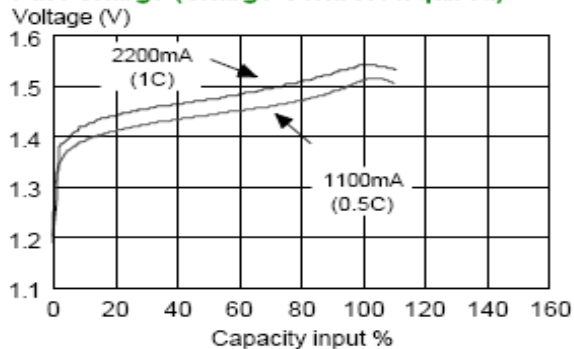
Low Rate Discharge



High Rate Discharge



Fast Charge (Charge Control Required)



The information (subject to change without prior notice) contained in this document is for reference only and should not be used as a basis for product guarantee or warranty. For applications other than those described here, please consult your nearest GP Sales and Marketing Office or Distributors.